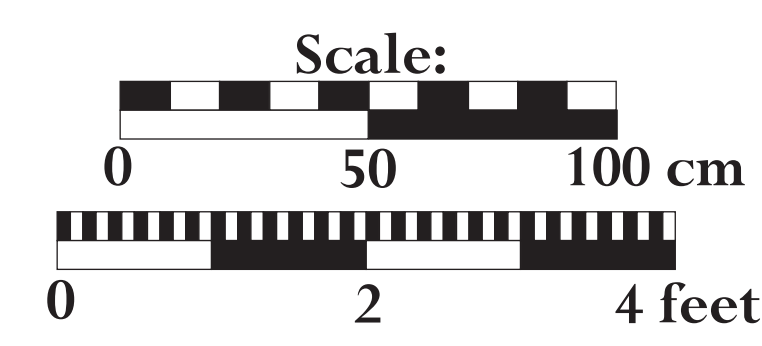
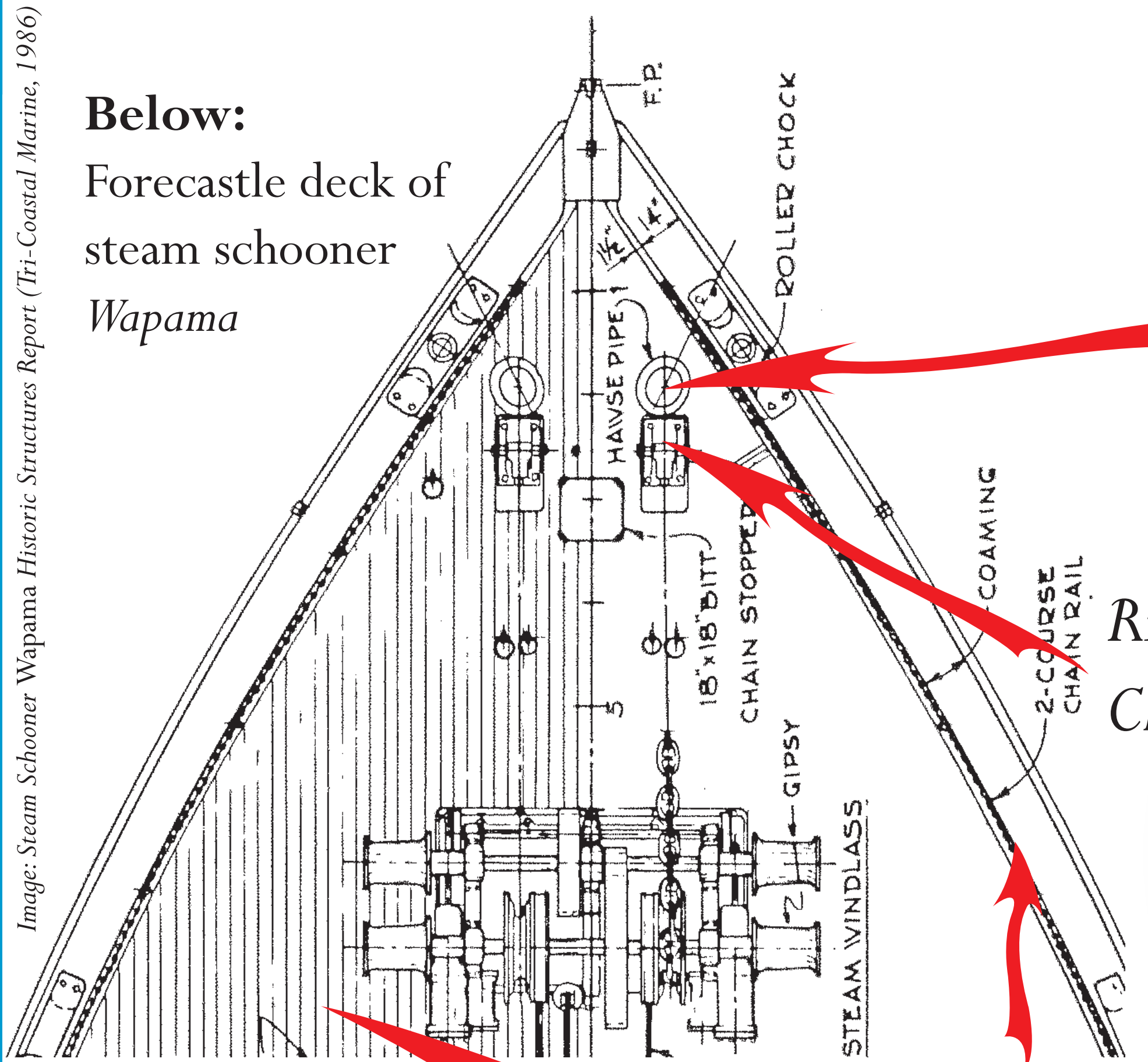


Image: Steam Schooner Wapama Historic Structures Report (Tri-Coastal Marine, 1986)

Below:
Forecastle deck of
steam schooner
Wapama



Bow



Chain Ports/
Hawse Lips

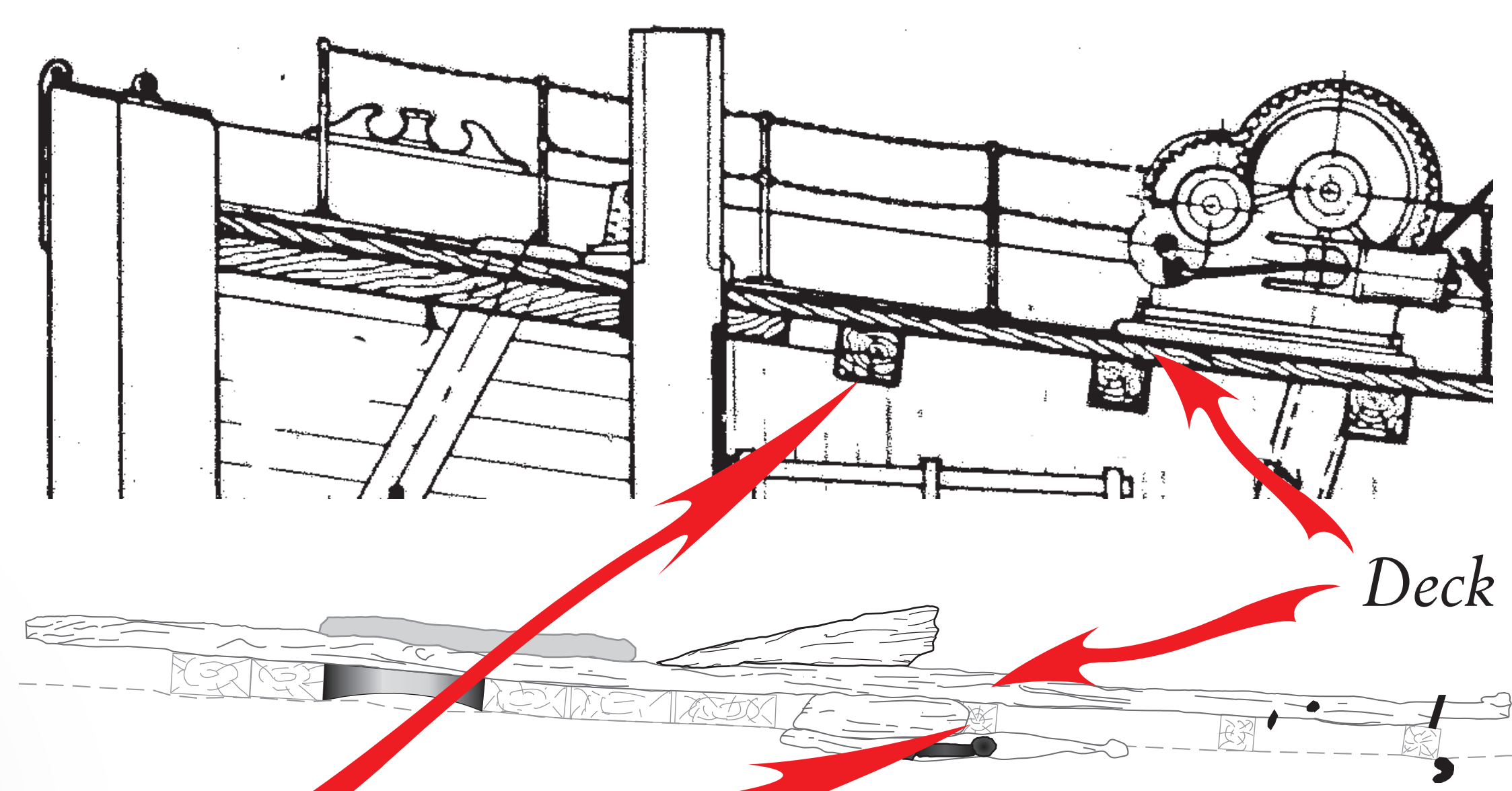
Riding
Chocks

Waterways

Port

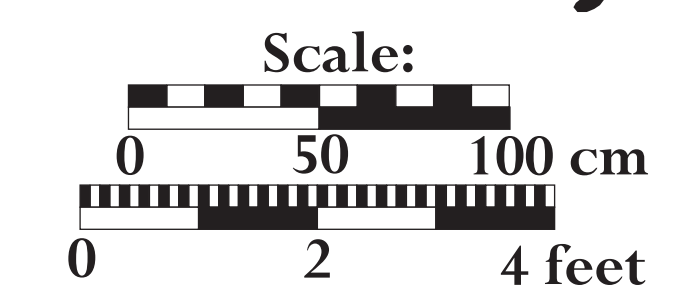
Deck

Below: Detail of inboard profile of steam schooner Wapama



Deck

Deck
Beams



Above: Profile of debris (port side)

Starboard

Drawings by:
Nathan Richards
John Bright
Danny Bera
Tom Horn

Thanks to:
John McCord
Corey Adams
Bill McDermott
Brad Rodgers
Nat Howe
Nathan Henry



Unidentified Ship Bow Fragment (BOB0034)

Plan & Profile: 11 April 2011 (Interpretation 2: Interior bow)

Kill Devil Hills, NC

(Lat. 36.02540°N Long. 75.66187°W)

