

Thanks to:

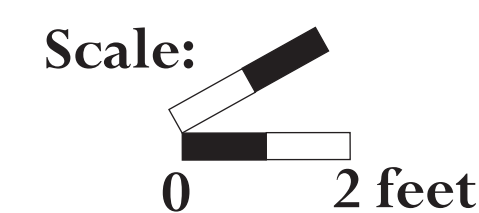
Monitor National Marine Sanctuary (NOAA)
 (Joe Hoyt, Lauren Heesemann, & David Alberg)
 North Carolina Underwater Archaeology Branch
 (Richard Lawrence, Mark Wilde-Ramsing, & Nathan Henry)
 ECU Diving and Water Safety
 (Mark Keusenkothen & Eric Diaddorrio)
 UNC-CSI
 (John McCord, David Sybert, Mike Muglia, & Nancy White)
 Outer Banks Dive Center
 (Bill McDermott)
 ECU Program in Maritime Studies
 (Bradley Rodgers)

Recorded by:

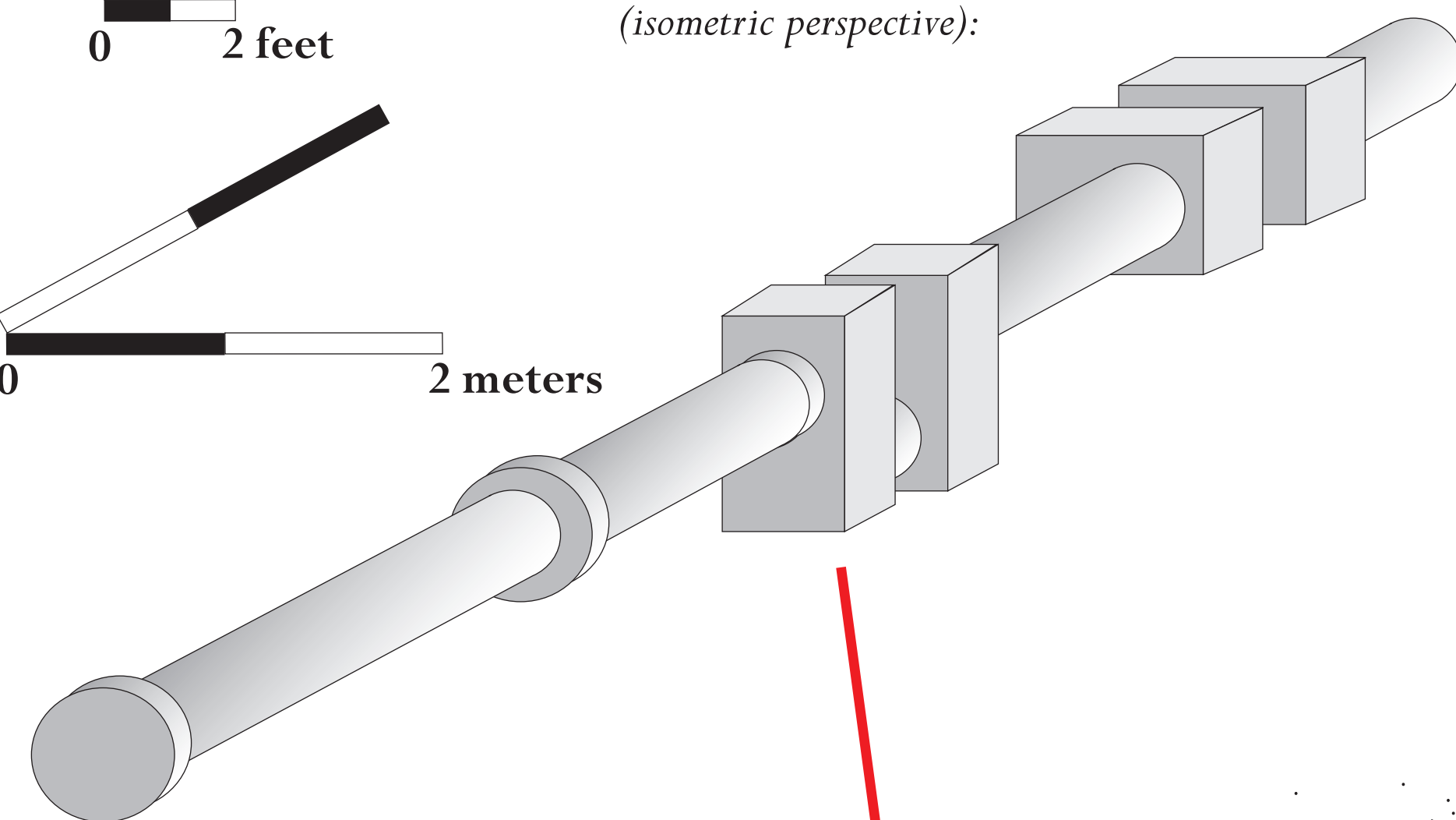
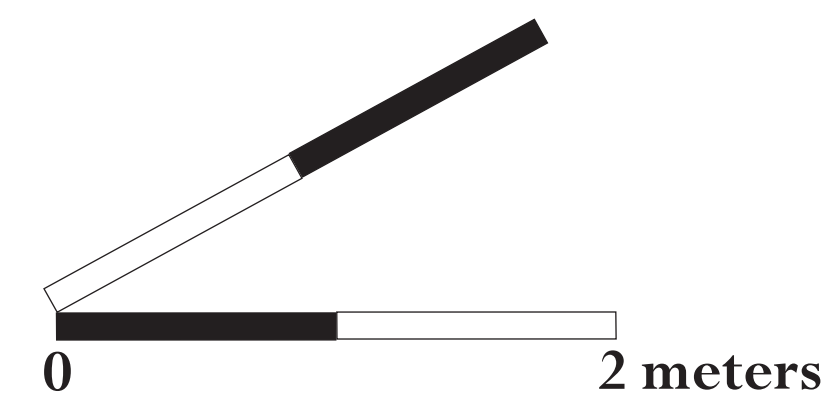
Nathan Richards, Calvin Mires,
 Stephanie Gandulla, Daniel Bera,
 Saxon Bisbee, John Bright,
 Dan Brown, Kathryn Cooper,
 Joshua Marano, Jeff O'Neill,
 & William Schilling,

Digitization by:

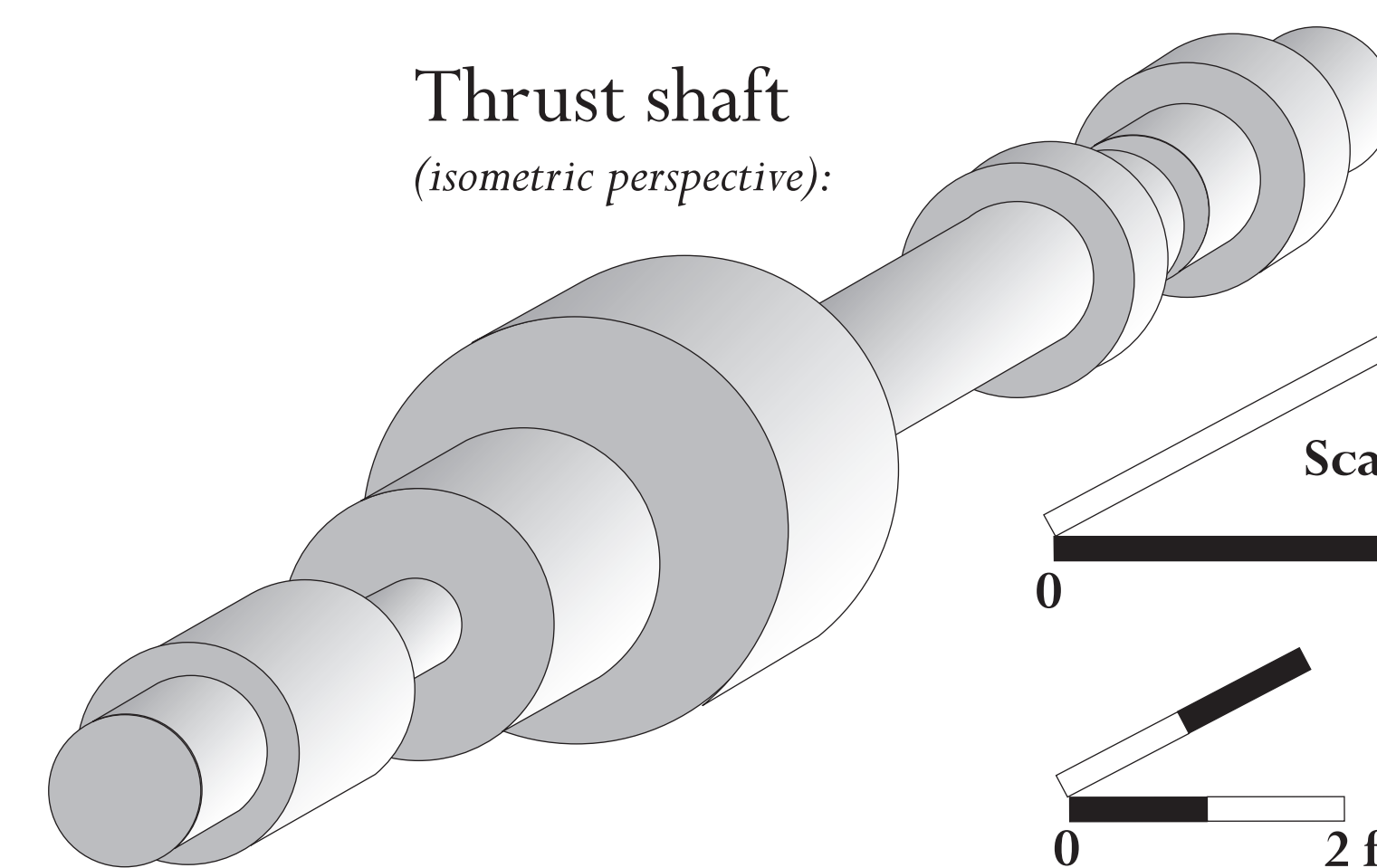
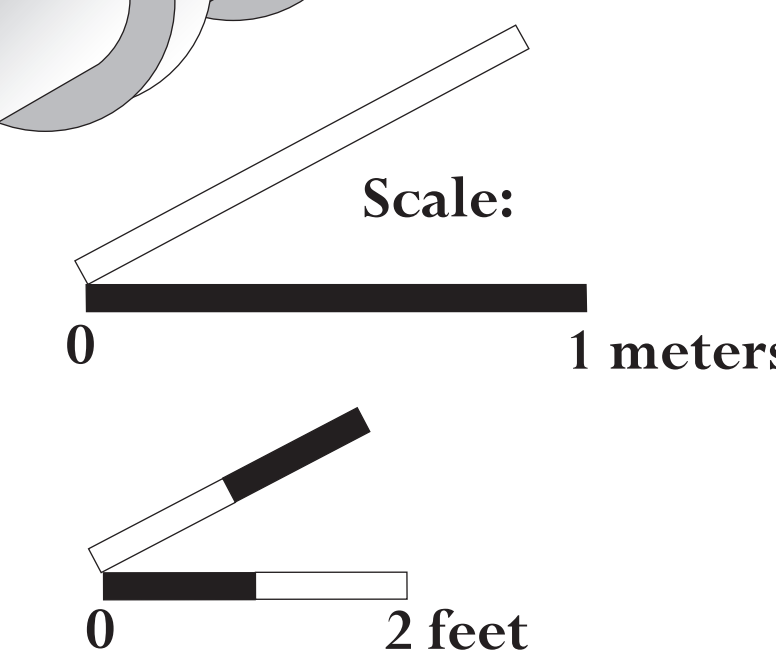
Nathan Richards



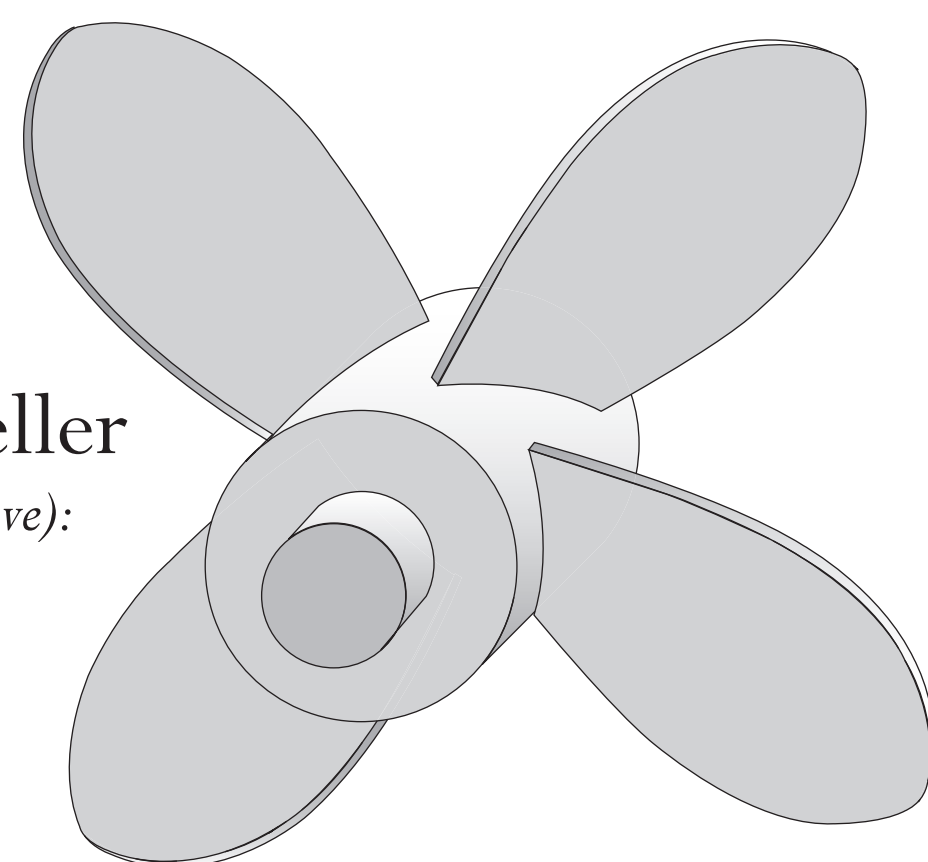
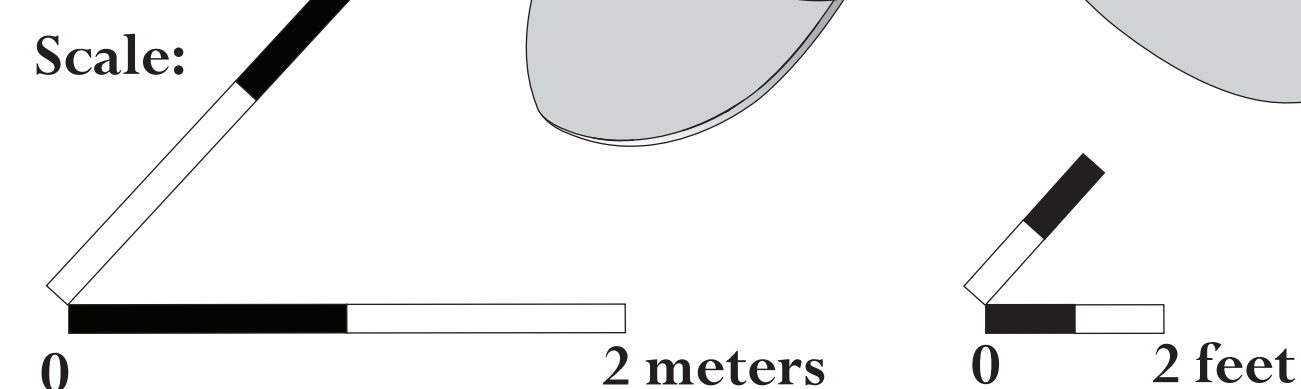
Cranks & propeller shaft
(isometric perspective):



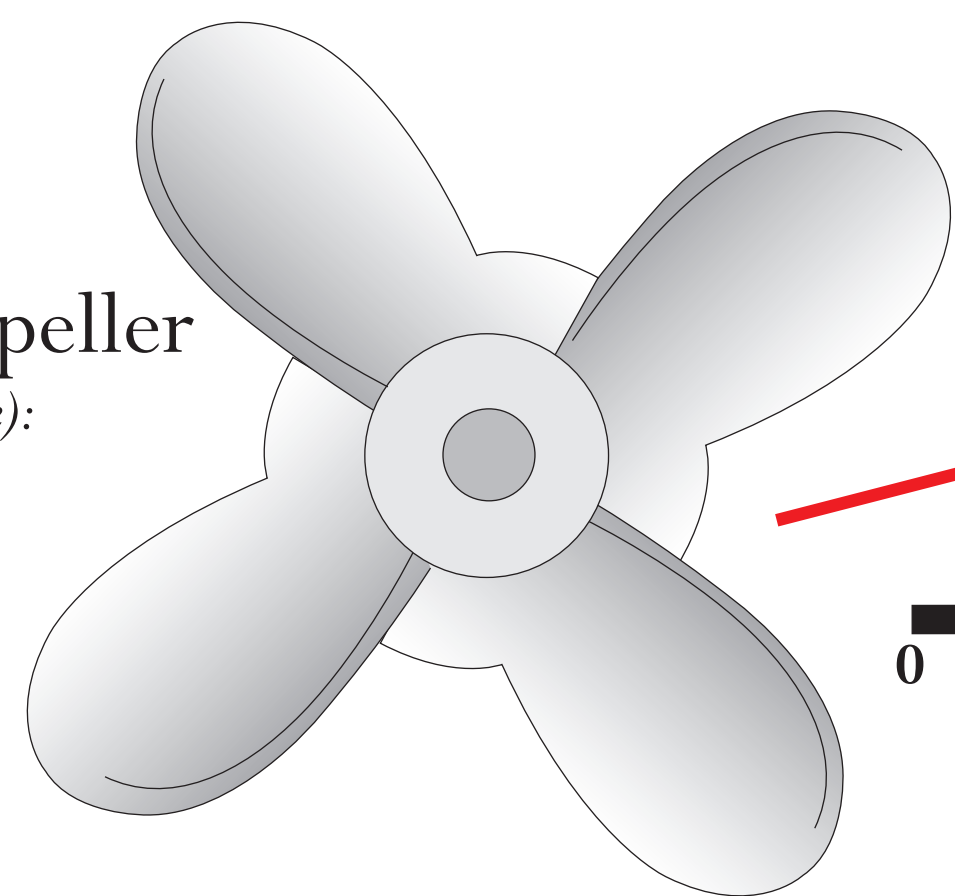
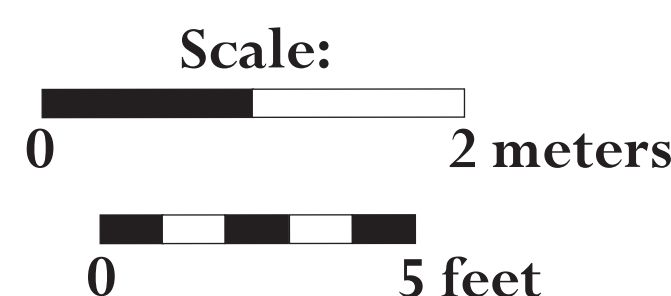
Thrust shaft
(isometric perspective):



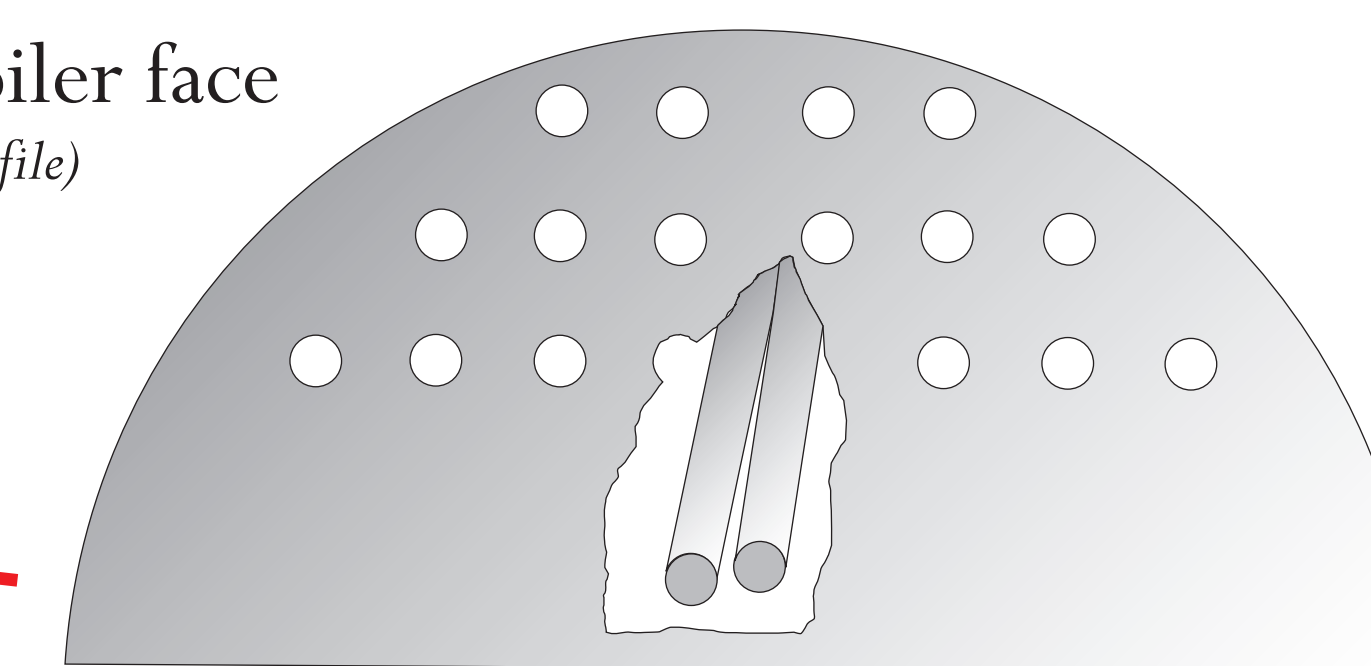
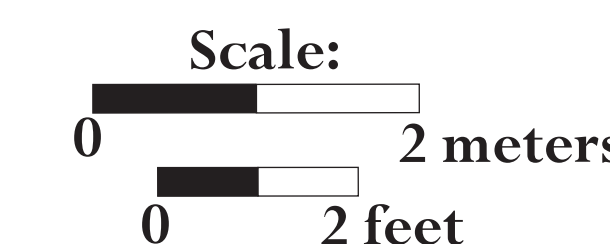
Main propeller
(isometric perspective):



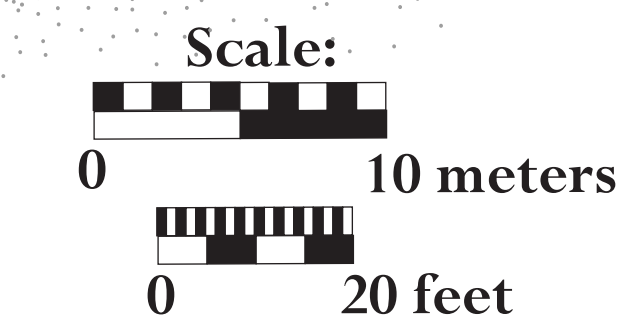
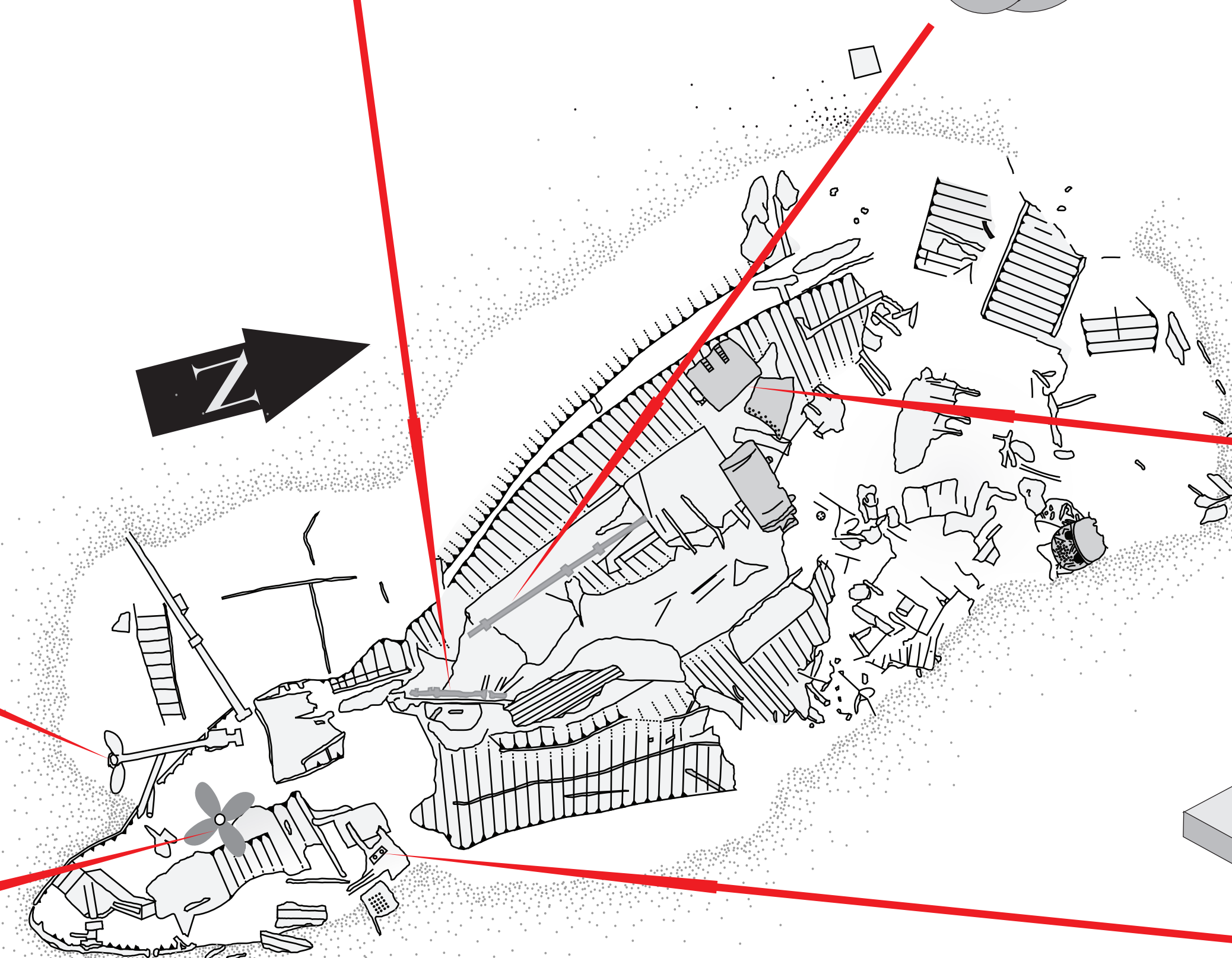
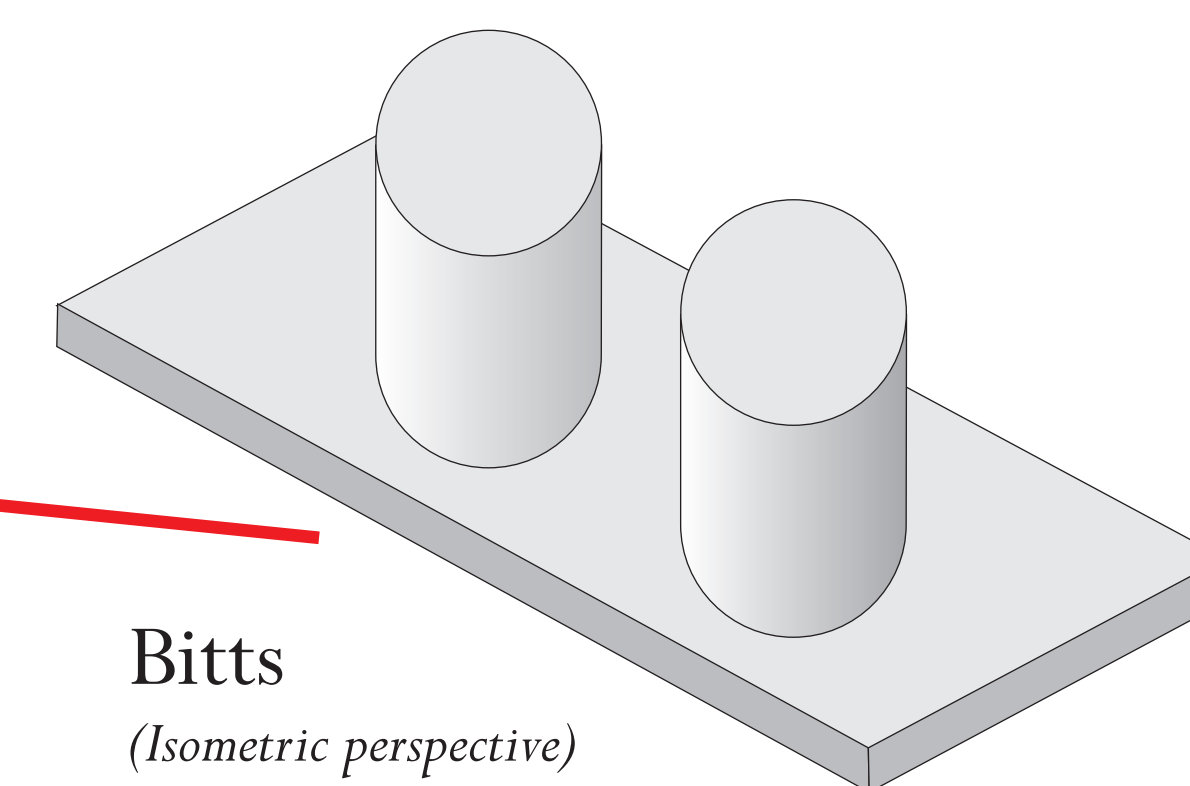
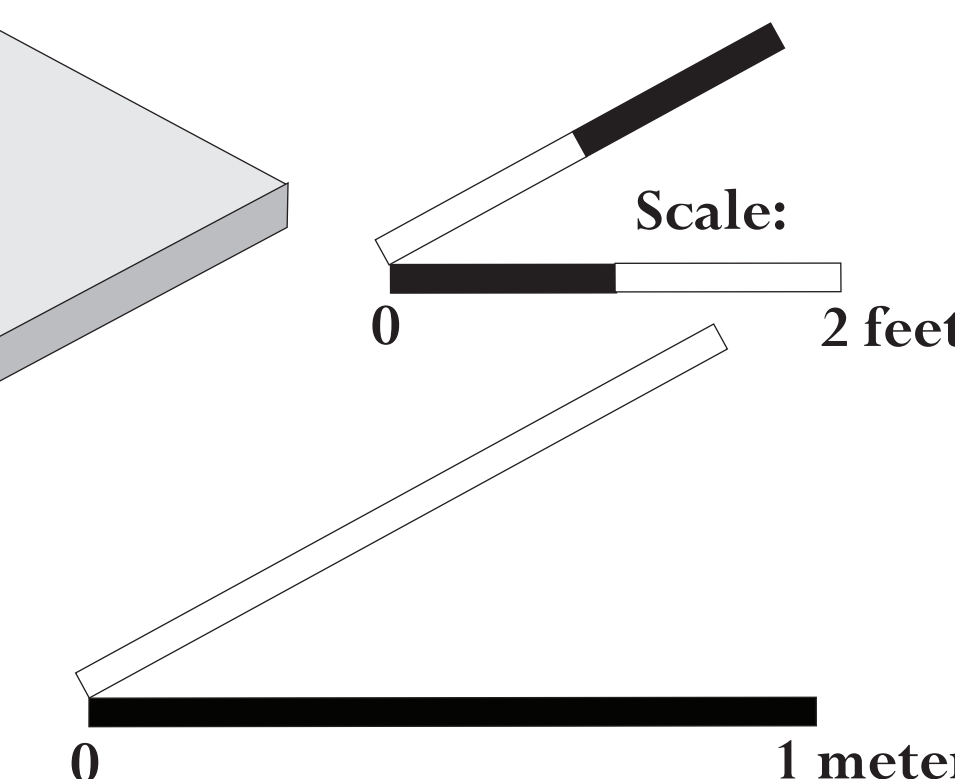
Spare propeller
(plan perspective):



Boiler face
(Profile)



Bits
(Isometric perspective)



Strathairly (NHB0038)

Iron-hulled cargo steamer (1876 - 25 March 1891)

Overall site plan (stern section): 4-22 June 2010

Rodanthe, Atlantic Ocean, NC

(Lat. 35.5862°N Long. 75.4562°W)

